

WAA Ortho Industry Sialkot Pakistan



Company: WAA Ortho Industry

Address: Raja Road 22/325 Sialkot Pakistan

Chamber Registration Number: A-70741

Tel: +92-52-4568893

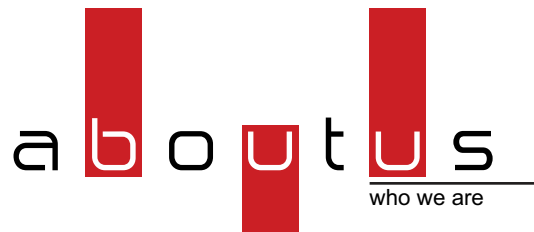
Cell: +92-3106234115

Whatsaap: +92-+3374745643

Emails: info@waaorthoind.com

waaortho@gmail.com

Web: www.waaorthoind.com



WAA Ortho is known for its quality For Surgical instruments and Instruments for surgery and is an operated business that has been dedicated to providing healthcare professionals with the products they need to perform their art since a long. Our high quality, precision crafted instruments have been an essential product line to our worthy customers.

We carry an exclusive range of Surgical Instruments, Surgical Instruments and Healthcare Equipments.

We are committed to providing a product line that guarantees quality and extraordinary value to the end user as well as a level of service, satisfaction, and cooperation that has become a hallmark of Eco Surgical.

We have gained a reputation for offering unbeatable prices on branded items as well as outstanding customer service on all levels. Every single instrument is manufactured with great care. We are working hard for maintaining higher standard. Advanced techniques are used in manufacturing and finishing departments in order to make best products.

TOSHIO SURGICO is offering you huge selection of our products and much more for a fast growing number of customers. We make it easy for you to browse our products, place orders and benefit from our quality services.

We assure you quality instruments, most competitive prices and shortest delivery time.

Your Sincerely

(C.E.O)

Samina Wasim

All Instruments are available in a high-polish or satin/matte finish according to individual preferences. Constructed from high-quality 300, 410, or 420 Series Stainless Steel, these devices meet or exceed all ASTM/AISI International Standards for Medical Device production. Undergoing the latest finishing techniques to prevent rusting and future corrosion, our state-of-the-art method includes, but is not limited to: surface grinding, broaching, heat treating, drilling, tapping, electronically passivating and I.D./O.D. Threading.

INDEX

Scissors	01-12
Needle Holders	13-20
Forceps / Thumb	21-26
Nasal Rasps	27-29
Fiber Optic Retractors	30-32
Retractors	33-41
Breast Retractors	42
Augmentation (TUBA) Set	43
Shaper	44-46
Osteotomes	47-48
Mallets	49
Morselizers	50
Saws	51
Nasal Speculas	52
Elevators	53-54
Hooks	55-56
Measuring	57
Dissectors	58
Markers	59-60
Forceps	61-63
Knives	64-65
Rongeurs	66
Bone Cutting Forceps	67
Miscellaneous	68-69
Iconoclasts	70
Cannulas / Lipo Suction	71-72

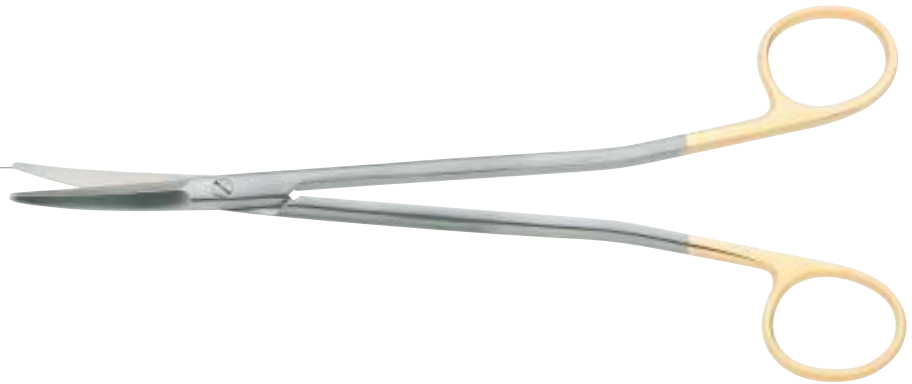
- EPSC-21518** Gorney 18.0 cm, curved, serrated, TC
- EPSC-21420** Gorney 20.0 cm, straight, serrated, TC
- EPSC-21520** Gorney 20.0 cm, curved, serrated, TC
- EPSC-21523** Gorney 23.0 cm, curved, serrated, TC



- EPSC-21220** Gorney 20.0 cm, straight, serrated
- EPSC-21320** Gorney 20.0 cm, curved, serrated



- EPSC-21620** Freeman Gorney 20.0 cm, straight, TC
- EPSC-21720** Freeman Gorney 20.0 cm, curved, TC



- EPSC-21918** Freeman 18.0 cm, straight, TC
- EPSC-22018** Freeman 18.0 cm, curved, TC



Scissors

Aston-Face

- EPSC-24516 17.0 cm, curved
- EPSC-24520 20.0 cm, curved



Rees

- EPSC-22417 17.0 cm, straight, serrated, TC
- EPSC-22517 17.0 cm, curved, serrated, TC
- EPSC-22419 20.0 cm, straight, serrated, TC
- EPSC-22519 20.0 cm, curved, serrated, TC



Kaye

- EPSC-23315 15.0 cm, curved, serrated, TC
- EPSC-23323 23.0 cm, curved, serrated, TC



Kaye

- EPSC-23312 11.5 cm, curved, serrated, TC



Freeman (Kaye)
EPSC-21818 18.0 cm, curved, serrated, TC
EPSC-21820 20.0 cm, curved, serrated, TC



Davis
EPSC-24018 18.0 cm, curved,
serrated, sharp/sharp, TC



Castanares
EPSC-24816 16.5 cm, straight, TC



Goldman Fox
EPSC-82313 13.0 cm, curved, serrated, TC



Scissors

Par Style
very delicate
EPSC-20911 11.5 cm, curved, TC
EPSC-20914 14.5 cm, curved, TC
for serrated blades please add "WS"



Stevens Tenotomy
EPSC-36051 11.5 cm, straight, TC
EPSC-36151 11.5 cm, curved, TC



Stevens Tenotomy
EPSC-36011 11.0 cm, straight, sharp/sharp
EPSC-36111 11.0 cm, curved, sharp/sharp
EPSC-36211 11.0 cm, straight, blunt/blunt
EPSC-36311 11.0 cm, curved, blunt/blunt



Devine
fine dissecting scissors
with sharp tips,
EPSC-21011 11.0 cm, curved, TC



Kilner

- EPSC-31212 12.0 cm, straight, TC
- EPSC-31412 12.0 cm, curved, TC
- EPSC-5851 12.0 cm, curved
1 blade TC
1 blade serrated



Strabismus

- EPSC-37411 11.0 cm, straight, TC
 - EPSC-37511 11.0 cm, curved, TC
 - EPSC-37411 11.0 cm, straight, supercut
 - EPSC-37511 11.0 cm, curved, supercut
- for serrated blades please add "WS"



Iris

- EPSC-34211 11.5 cm, round, straight, sharp/sharp
 - EPSC-34311 11.5 cm, round, curved, sharp/sharp
 - EPSC-34251 11.5 cm, round, straight, sharp/sharp, TC
 - EPSC-34351 11.5 cm, round, curved, sharp/sharp, TC
- for serrated blades please add "WS"



Iris

- EPSC-34011 11.5 cm, square, straight, sharp/sharp
 - EPSC-34111 11.5 cm, square, curved, sharp/sharp
 - EPSC-34411 11.5 cm, square, straight, sharp/sharp, TC
 - EPSC-34511 11.5 cm, square, curved, sharp/sharp, TC
- for serrated blades please add "WS"



Scissors

Joseph

- EPSC-30414** 14.0 cm, straight, sharp/sharp
- EPSC-30514** 14.0 cm, curved, sharp/sharp
- EPSC-30454** 14.0 cm, straight, sharp/sharp, TC
- EPSC-30554** 14.0 cm, curved, sharp/sharp, TC



Locklin

- EPSC-53916** 16.0 cm, straight, angled, sharp/sharp, TC



Shea

- EPSC-30612** 12.0 cm, sharp, fine, curved



Wilmer Converse

- EPSC-35010** 10.5 cm, angled up



EPSC-40118 Heymann
18.0 cm, angled to side



EPSC-39518 Knight
18.0 cm, angled to side, serrated,
delicate blades, TC



EPSC-40354 Fomon
14.5 cm, angled, TC



EPSC-40716 Cottle
17.0 cm, angled, TC



Scissors

Metzenbaum Fino blunt/blunt

- EPSC-28615 14.5 cm, straight, TC
- EPSC-28715 14.5 cm, curved, TC
- EPSC-28618 18.0 cm, straight, TC
- EPSC-28718 18.0 cm, curved, TC
- EPSC-28620 20.0 cm, straight, TC
- EPSC-28720 20.0 cm, curved, TC
- EPSC-28623 23.0 cm, straight, TC
- EPSC-28723 23.0 cm, curved, TC
- EPSC-28628 28.0 cm, straight, TC
- EPSC-28728 28.0 cm, curved, TC

for serrated blades please add "WS"



Metzenbaum sharp/sharp

- EPSC-27415 14.5 cm, straight, TC
- EPSC-27515 14.5 cm, curved, TC
- EPSC-27418 18.0 cm, straight, TC
- EPSC-27518 18.0 cm, curved, TC
- EPSC-27423 23.0 cm, straight, TC
- EPSC-27523 23.0 cm, curved, TC

for serrated blades please add "WS"



Metzenbaum blunt/blunt

- EPSC-28415 14.5 cm, straight, TC
- EPSC-28515 14.5 cm, curved, TC
- EPSC-28418 18.0 cm, straight, TC
- EPSC-28518 18.0 cm, curved, TC
- EPSC-28420 20.5 cm, straight, TC
- EPSC-28520 20.5 cm, curved, TC
- EPSC-28423 23.0 cm, straight, TC
- EPSC-28523 23.0 cm, curved, TC
- EPSC-28428 28.0 cm, straight, TC
- EPSC-28528 28.0 cm, curved, TC

for serrated blades please add "WS"



Metzenbaum, blunt/blunt

- EPSC-28015 14.5 cm, straight, supercut
- EPSC-28115 14.5 cm, curved, supercut
- EPSC-28018 18.0 cm, straight, supercut
- EPSC-28118 18.0 cm, curved, supercut
- EPSC-28023 23.0 cm, straight, supercut
- EPSC-28123 23.0 cm, curved, supercut



Mayo-Stille

- EPSC-17415 15.0 cm, straight, TC
- EPSC-17515 15.0 cm, curved, TC
- EPSC-17417 17.0 cm, straight, TC
- EPSC-17517 17.0 cm, curved, TC

for serrated blades please add "WS"



Mayo-Stille

- EPSC-17017 17.0 cm, straight, supercut
- EPSC-17117 17.0 cm, curved, supercut



Mayo-Lexer

- EPSC-19421 21.0 cm, straight, TC
- EPSC-19521 21.0 cm, curved, TC



Operating sharp/blunt

- EPSC-11214 14.5 cm, straight, round, TC
- EPSC-11314 14.5 cm, curved, round, TC



Scissors

Operating sharp/sharp
EPSC-12214 14.5 cm, straight, round, TC
EPSC-12314 14.5 cm, curved, round, TC



Operating blunt/blunt
EPSC-10614 14.5 cm, straight, round, TC
EPSC-10714 14.5 cm, curved, round, TC



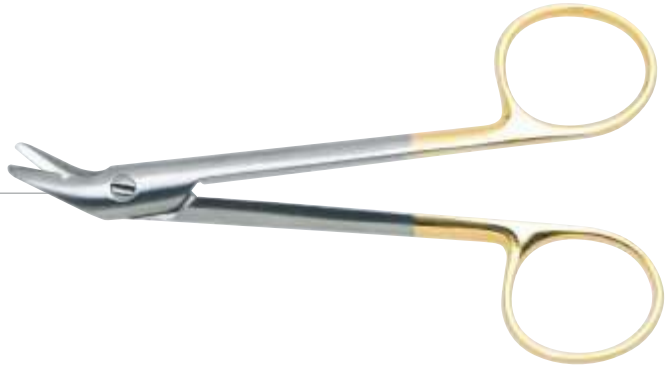
Littler
EPSC-20512 12.0 cm, curved, tips with eye for suture
EPSC-20514 14.0 cm, curved, tips with eye for suture



Fomon
EPSC-40213 13.5 cm, lower lateral scissor,
strongly curved



Universal Wire Scissors
EPSC-83512 12.0 cm, serrated, TC



Caplan Septum
EPSC-26120 22.0 cm, one blade serrated,
double action, straight

EPSC-26122 22.0 cm, one blade serrated,
double action, curved



Lister Bandage
EPSC-90114 14.0 cm, angled
EPSC-90118 18.0 cm, angled



Freeman Kaye
EPSC-21617 17.0 cm, curved



Scissors

Stevens Tenotomy Scissors

- EPSC-36509 9.5 cm, curved, sharp/sharp, ribbon type
- EPSC-36512 12.0 cm, curved, sharp/sharp, ribbon type



Iris

- EPSC-32209 9.5 cm, straight, sharp/sharp, ribbon type
- EPSC-32309 9.5 cm, curved, sharp/sharp, ribbon type
- EPSC-32610 10.5 cm, straight, sharp/sharp, ribbon type
- EPSC-32710 10.5 cm, curved, sharp/sharp, ribbon type



Spencer

- EPSC-80209 9.0 cm, straight, ligature scissor



Knowles Bandage

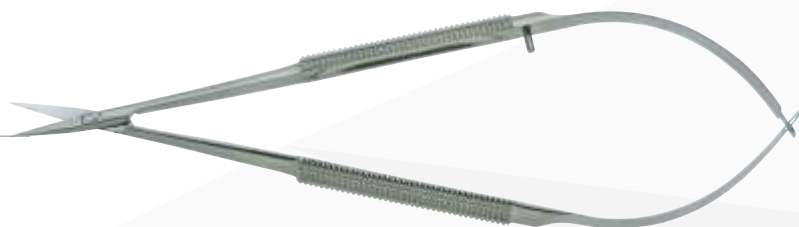
- EPSC-93114 14.0 cm, angled, serrated



Micro Scissors

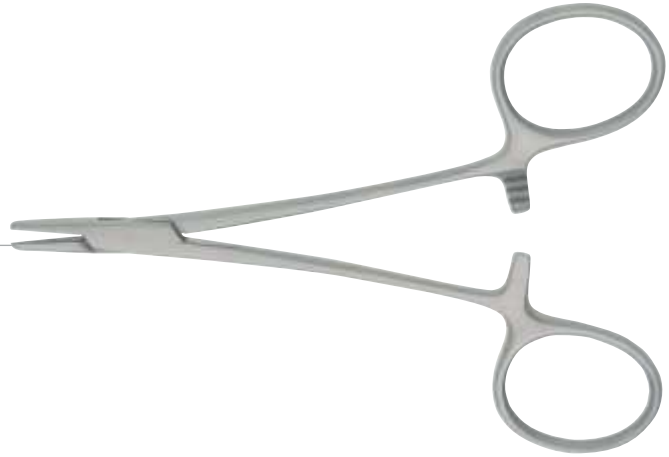
spring scissors with round handle, blade 14 mm

- EPSC-20615 15.0 cm, straight
- EPSC-20815 15.0 cm, straight, blades serrated
- EPSC-20715 15.0 cm, curved
- EPSC-20915 15.0 cm, curved, blades serrated
- EPSC-20618 18.0 cm, straight
- EPSC-20818 18.0 cm, straight, blades serrated
- EPSC-20718 18.0 cm, curved
- EPSC-20918 18.0 cm, curved, blades serrated



Webster

- EPSC-12811 11.5 cm, smooth
- EPSC-12913 13.0 cm, smooth, TC



Halsey

- 13.0 cm, smooth, TC EPSC-13413
- 13.0 cm, cross serrated, TC EPSC-14413



Par

- EPSC-14011 11.5 cm, cross serrated, TC
- EPSC-14013 13.0 cm, cross serrated, TC



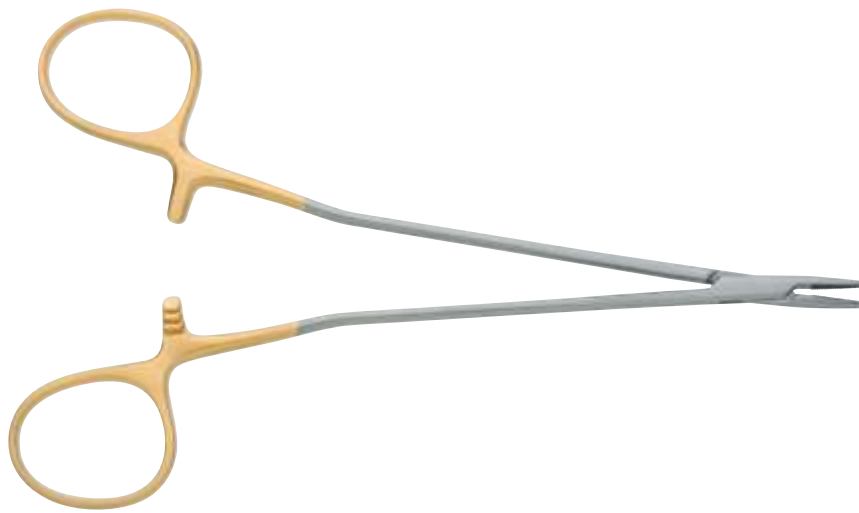
Derf

- 12.0 cm, serrated EPSC-11012
- 12.0 cm, cross serrated, TC EPSC-11412



Needle Holders

Neivert
13.0 cm, cross serrated, TC
EPSC-14713

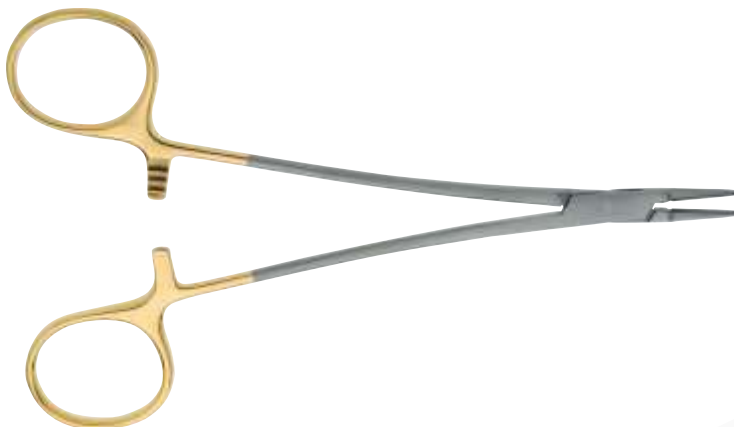


Swedish
15.5 cm, cross serrated, TC
EPSC-21815

Ryder
13.0 cm, cross serrated, TC
15.0 cm, cross serrated, TC
18.0 cm, cross serrated, TC
EPSC-22413
EPSC-22415
EPSC-22418

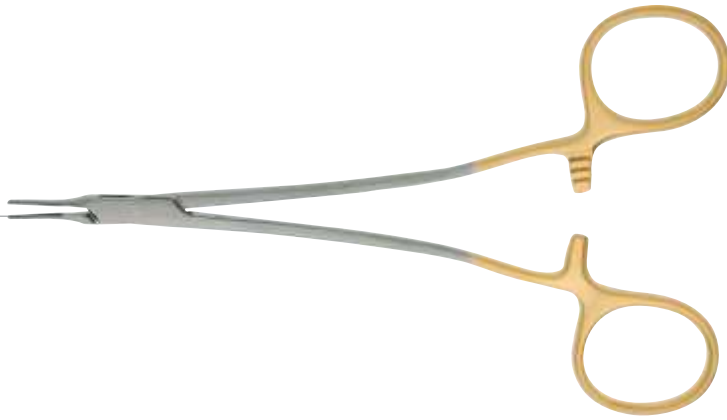


Micro Ryder
13.0 cm, cross serrated, TC
15.0 cm, cross serrated, TC
18.0 cm, cross serrated, TC
EPSC-22613
EPSC-22615
EPSC-22618



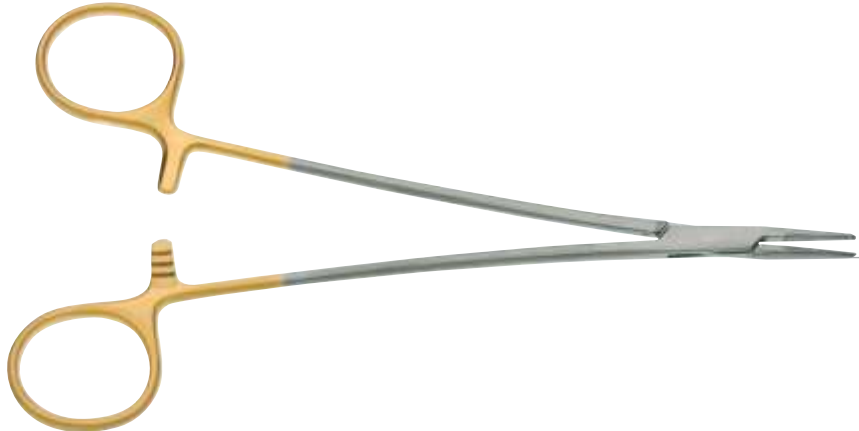
Euphrate-Pasque
extremely delicate

- EPSC-23814** 14.0 cm, cross serrated, TC
- EPSC-23815** 15.0 cm, cross serrated, TC
- EPSC-23818** 18.0 cm, cross serrated, TC
- EPSC-23820** 20.0 cm, cross serrated, TC



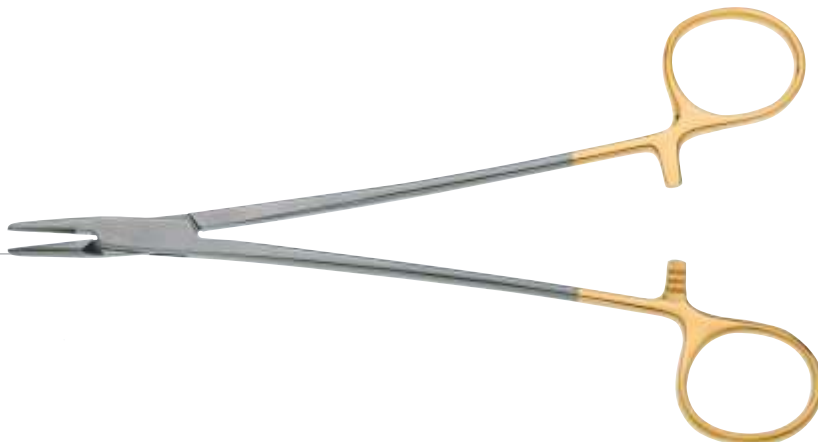
Micro-Vascular

- 15.0 cm, cross serrated, TC **EPSC-23415**
- 18.0 cm, cross serrated, TC **EPSC-23418**



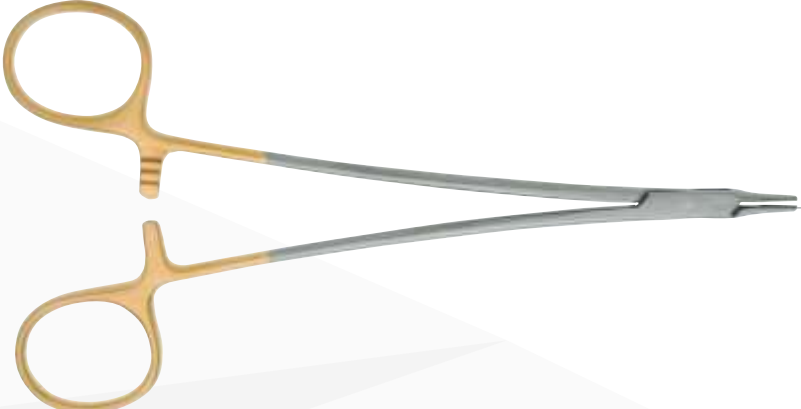
Crile-Wood

- EPSC-16215** 15.0 cm, smooth, TC
- EPSC-16415** 15.0 cm, cross serrated, TC
- EPSC-16418** 18.0 cm, cross serrated, TC
- EPSC-16420** 20.0 cm, cross serrated, TC
- EPSC-16423** 23.0 cm, cross serrated, TC



Lemmon

- 14.0 cm, cross serrated, TC **EPSC-24814**
- 17.0 cm, cross serrated, TC **EPSC-24817**
- 19.0 cm, cross serrated, TC **EPSC-24819**



Needle Holders

Baumgartner

- EPSC-15412** 12.5 cm, cross serrated, TC
- EPSC-15414** 14.0 cm, cross serrated, TC



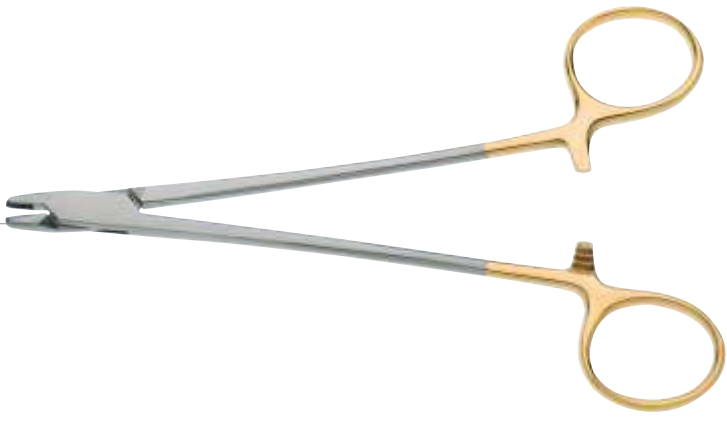
Mayo Hegar

- 14.0 cm, cross serrated, TC **EPSC-18414**
- 16.0 cm, cross serrated, TC **EPSC-18416**
- 18.0 cm, cross serrated, TC **EPSC-18418**
- 20.0 cm, cross serrated, TC **EPSC-18420**



Wire Twister

- EPSC-60011** 13.0 cm, round jaw, cross serrated, TC
- EPSC-60001** 16.0 cm, blunt jaw, cross serrated, TC
- EPSC-60012** 18.0 cm, round jaw, cross serrated, TC
- EPSC-60002** 18.0 cm, blunt jaw, cross serrated, TC



Corwin Wire Twister

- 16.0 cm, long round jaw, cross serrated, TC **EPSC-53901**
- 16.0 cm, blunt jaw, cross serrated, TC **EPSC-53902**
- 16.0 cm, round jaw, cross serrated, TC **EPSC-53903**



Olsen Hegar
needleholder/scissors combination

- EPSC-41414** 14.0 cm, cross serrated, TC
- EPSC-41418** 18.0 cm, cross serrated, TC



Gillies
needleholder/scissors combination

- EPSC-43416** 16.0 cm, cross serrated, curved, TC



Needle Holders

Barraquer Micro

with round handle, without lock, tip 0.8 × 1.2 mm

- EPSC-64014** 14.0 cm,
straight, diamond dusted
- EPSC-64114** 14.0 cm,
curved, diamond dusted
- EPSC-64015** 15.0 cm,
straight, diamond dusted
- EPSC-64115** 15.0 cm,
curved, diamond dusted
- EPSC-64018** 18.0 cm,
straight, diamond dusted
- EPSC-64118** 18.0 cm,
curved, diamond dusted



Barraquer Micro

with round handle, with lock, tip 0.8 × 1.2 mm

- EPSC-64214** 14.0 cm,
straight, diamond dusted
- EPSC-64314** 14.0 cm,
curved, diamond dusted
- EPSC-64215** 15.0 cm,
straight, diamond dusted
- EPSC-64315** 15.0 cm,
curved, diamond dusted
- EPSC-64218** 18.0 cm,
straight, diamond dusted
- EPSC-64318** 18.0 cm,
curved, diamond dusted



Barraquer Delicate

with round handle, without lock, tip 1.2 × 1.8 mm

- EPSC-63414** 14.0 cm,
cross serrated, straight, TC
- EPSC-63514** 14.0 cm,
cross serrated, curved, TC
- EPSC-63415** 15.0 cm,
cross serrated, straight, TC
- EPSC-63515** 15.0 cm,
cross serrated, curved, TC
- EPSC-63418** 18.0 cm,
cross serrated, straight, TC
- EPSC-63518** 18.0 cm,
cross serrated, curved, TC



Barraquer Micro

with round handle, without lock, tip 0.8 × 1.2 mm

- EPSC-63614 14.0 cm,
cross serrated, straight, TC
- EPSC-63714 14.0 cm,
cross serrated, curved, TC
- EPSC-63615 15.0 cm,
cross serrated, straight, TC
- EPSC-63715 15.0 cm,
cross serrated, curved, TC
- EPSC-63618 18.0 cm,
cross serrated, straight, TC
- EPSC-63718 18.0 cm,
cross serrated, curved, TC



Barraquer Delicate

with round handle, with lock, tip 1.2 × 1.8 mm

- EPSC-66714 14.0 cm,
cross serrated, straight, TC
- EPSC-66614 14.0 cm,
cross serrated, curved, TC
- EPSC-66715 15.0 cm,
cross serrated, straight, TC
- EPSC-66615 15.0 cm,
cross serrated, curved, TC
- EPSC-66718 18.0 cm,
cross serrated, straight, TC
- EPSC-66618 18.0 cm,
cross serrated, curved, TC



Barraquer Micro

with round handle, with lock, tip 0.8 × 1.2 mm

- EPSC-66814 14.0 cm, cross serrated, straight, TC
- EPSC-66914 14.0 cm, cross serrated, curved, TC
- EPSC-66815 15.0 cm, cross serrated, straight, TC
- EPSC-66915 15.0 cm, cross serrated, curved, TC
- EPSC-66818 18.0 cm, cross serrated, straight, TC
- EPSC-66918 18.0 cm, cross serrated, curved, TC



Barraquer

with round handle, with inserted jaws 0.75mm

- EPSC-65712 12.0 cm, straight, without lock, smooth
- EPSC-65912 12.0 cm, curved, without lock, smooth

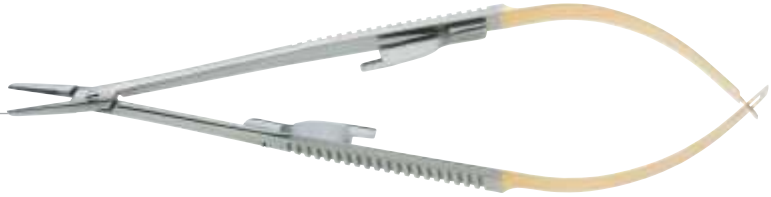


Needle Holders

Castroviejo

with fat handle, with lock

- EPSC-67813** 14.0 cm, smooth, straight, TC
- EPSC-67814** 14.0 cm, cross serrated, straight, TC
- EPSC-67513** 14.0 cm, smooth, curved, TC
- EPSC-67514** 14.0 cm, cross serrated, curved, TC
- EPSC-67817** 18.0 cm, smooth, straight, TC
- EPSC-67819** 18.0 cm, cross serrated, straight, TC
- EPSC-67517** 18.0 cm, smooth, curved, TC
- EPSC-67518** 18.0 cm, cross serrated, curved, TC



Castroviejo

with fat handle, without lock

- EPSC-69614** 14.0 cm, straight, diamond dusted
- EPSC-69714** 14.0 cm, curved, diamond dusted
- EPSC-69618** 18.0 cm, straight, diamond dusted
- EPSC-69718** 18.0 cm, curved, diamond dusted



Castroviejo

with fat handle, with lock

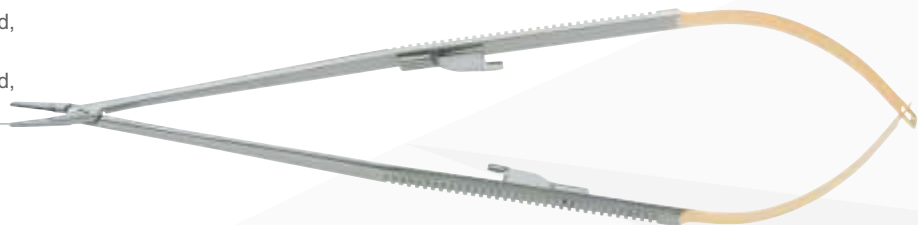
- EPSC-69814** 14.0 cm, straight, diamond dusted
- EPSC-69914** 14.0 cm, curved, diamond dusted
- EPSC-69818** 18.0 cm, straight, diamond dusted
- EPSC-69918** 18.0 cm, curved, diamond dusted



Castroviejo Ryder

with fat handle, with lock


- EPSC-70214** 14.0 cm, cross serrated, straight, TC
- EPSC-70218** 18.0 cm, cross serrated, straight, TC




Adson
EPSC-17412 12.0 cm, cross serrated, TC
EPSC-17415 15.0 cm, cross serrated, TC



Adson
EPSC-20412 12.0 cm, serrated, Titanium



Adson
EPSC-17012 12.0 cm, serrated
EPSC-17612 12.0 cm, serrated, Micro




Adson Dressing
EPSC-17912 12.0 cm, cross serrated




Adson
EPSC-17512 12.0 cm, cross serrated, 1x2 teeth, TC
EPSC-17515 15.0 cm, cross serrated, 1x2 teeth, TC



Adson
EPSC-20512 12.0 cm, smooth, 1x2 teeth, Titanium



Adson Tissue
EPSC-18012 12.0 cm, smooth, 1x2 teeth



Adson Tubiana
EPSC-18512 12.0 cm, 1x2 teeth, with platform 1 mm



Forceps / Thumb

Brown-Adson
EPSC-18802 12.0 cm, cross serrated, Brown teeth, TC
EPSC-18805 15.0 cm, cross serrated, Brown teeth, TC



Brown-Adson
EPSC-18812 12.0 cm, Brown teeth



Adson Micro
EPSC-17312 12.0 cm, cross serrated, 1x2 teeth, TC
EPSC-17315 15.0 cm, cross serrated, 1x2 teeth, TC



Par
EPSC-17452 12.0 cm, cross serrated, TC



Adson Delicate
EPSC-16912 12.0 cm, smooth, TC
EPSC-17455 15.0 cm, cross serrated, TC



Gorney-Adson
EPSC-18612D 12.0 cm, 1x2 teeth,
with platform, diamond dusted



DeBakey
EPSC-30616 16.0 cm, 1.5 mm jaw
EPSC-30620 20.0 cm, 1.5 mm jaw
EPSC-30624 24.0 cm, 1.5 mm jaw
EPSC-30816 16.0 cm, 2.0 mm jaw
EPSC-30820 20.0 cm, 2.0 mm jaw
EPSC-30824 24.0 cm, 2.0 mm jaw
EPSC-30830 30.0 cm, 2.0 mm jaw
EPSC-30416 16.0 cm, 2.7 mm jaw
EPSC-30420 20.0 cm, 2.7 mm jaw
EPSC-30424 24.0 cm, 2.7 mm jaw
EPSC-30430 30.0 cm, 2.7 mm jaw
EPSC-31016 16.0 cm, 3.5 mm jaw
EPSC-31020 20.0 cm, 3.5 mm jaw
EPSC-31024 24.0 cm, 3.5 mm jaw
EPSC-31030 30.0 cm, 3.5 mm jaw



Castroviejo

- EPSC-14915 10,5 cm, 1.5 mm tip, 1x2 teeth, with platform
- EPSC-14903 10,5 cm, 3 mm tip, 1x2 teeth, with platform
- EPSC-14905 10,5 cm, 5 mm tip, 1x2 teeth, with platform
- EPSC-14909 10,5 cm, 9 mm tip, 1x2 teeth, with platform



Castroviejo-Brown

- EPSC-18851 11.0 cm, brown teeth



Graefe Iris

- EPSC-82010 10.0 cm, smooth, 1x2 teeth



Graefe Iris

- EPSC-81010 10.0 cm, serrated



Julian Suture

- EPSC-82511 11.0 cm, smooth, curved



Adson-Graefe

- EPSC-20012 12.0 cm, multi-toothed



Bishop-Harmon

- EPSC-94004 8.5 cm, smooth, 1x2 teeth, fine
- EPSC-94006 8.5 cm, smooth, 1x2 teeth



Green Fixation

- EPSC-07605 10.0 cm, 5 mm tip, without lock
- EPSC-07610 10.0 cm, 10 mm tip, without lock
- EPSC-07612 10.0 cm, 12 mm tip, without lock
- EPSC-07805 10.0 cm, 5 mm tip, with lock
- EPSC-07810 10.0 cm, 10 mm tip, with lock
- EPSC-07812 10.0 cm, 12 mm tip, with lock



Forceps / Thumb

EPSC-22417 **Cushing**
17.0 cm, cross serrated, TC



EPSC-22217 **Cushing**
17.0 cm, serrated, Titanium



EPSC-22517 **Cushing**
17.0 cm, angled, cross serrated, TC



EPSC-22618 **Taylor Cushing**
18.5 cm, cross serrated, bayonet, TC



EPSC-25317 **Bonney**
17.5 cm, cross serrated, 1x2 teeth, TC



EPSC-11618 **Potts-Smith**
18.0 cm, cross serrated, TC
EPSC-11621 21.0 cm, cross serrated, TC
EPSC-11625 25.0 cm, cross serrated, TC



EPSC-30618 **Gerald**
18.0 cm, cross serrated, 1x2 teeth, TC
EPSC-30118 18.0 cm, cross serrated, TC









EPSC-26915 **Semken**
15.0 cm, cross-serrated, 1x2 teeth, TC













Forceps / Thumb

Jewelers diamond dusted

EPSC-33525		11.5 cm, # 5A, very fine pointed tips
EPSC-33503		11.5 cm, # 3, straight, delicate tips
EPSC-33504		11.5 cm, # 4, straight, very fine tips
EPSC-33505		11.0 cm, # 5, straight, ultra fine tips
EPSC-33515		11.0 cm, # 5/45, angled, ultra fine tips
EPSC-33507		11.5 cm, # 7, curved, delicate tips



Jewelers

EPSC-33201		11.5 cm, # 1, straight, standard tips
EPSC-33012		11.5 cm, # 3, straight, delicate tips
EPSC-33225		11.0 cm, # 5A, very fine pointed tips
EPSC-33010		10.5 cm, # 3C, straight, delicate tips
EPSC-33204		11.0 cm, # 4, straight, very fine tips
EPSC-33205		11.0 cm, # 5, straight, ultra fine tips
EPSC-33100		11.0 cm, # 5/45, angled, ultra fine tips
EPSC-33112		11.0 cm, # 7, curved, delicate tips



Micro-Forceps

round handle, with tying platform

EPSC-10415	15.0 cm, straight, smooth
EPSC-10818	18.0 cm, straight, smooth
EPSC-10515	15.0 cm, curved, smooth
EPSC-10918	18.0 cm, curved, smooth



Wire Brush
for cleaning rasps
EPSC-41001



Glabella
21.5 cm, TC
EPSC-50501



Peet
19.0 cm, straight
EPSC-50919
19.0 cm, curved
EPSC-50920



Peet Aufricht
21.0 cm,
fine curved,
diamond dusted
EPSC-51022



Parkes
21.0 cm, # 4, backward cutting,
straight, TC
EPSC-50604
21.0 cm, # 5, backward cutting,
straight, TC
EPSC-50605
21.0 cm, # 8, backward cutting,
straight, TC
EPSC-50608



Fomon
20.0 cm, #1 and #2, TC
EPSC-52201
20.0 cm, #3 and #4, TC
EPSC-52203
20.0 cm, #5 and #6, TC
EPSC-52205
20.0 cm, #7 and #8, TC
EPSC-52207



Fomon
21.0 cm,
diamond dusted
EPSC-52321



Nasal Rasps



Friedman
21.5 cm,
with coarse teeth
and lewis sweeper

EPSC-52521



Fomon
22.0 cm,
lightweight,
coarse

EPSC-52101



Miller Colburn File

- EPSC-89501 18.0 cm, #1
- EPSC-89502 18.0 cm, #2
- EPSC-89503 18.0 cm, #3
- EPSC-89504 18.0 cm, #4
- EPSC-89505 18.0 cm, #5



Fiber Optic Retractors

The TBTS-Style Fiber Optic Retractors feature dual Fiber Optic and Smoke Evacuation Suction Ports to optimize visualization during surgical procedures involving electrosurgery. Ten new patterns and sizes are available to fulfill the clinicians' instrument needs and accommodate variation with patient size. The new TBTS-Style Fiber Optic retractors are available with 3 standard interlocking male fittings for connection to the female fittings on ACMI, Richard Wolf and Storz/Olympus fiber optic cables.

REF#	Description	Type	Blade (L x W)
EPSC-897FO	TBTS-Style Fiber Optic Retractor with Suction Port	with Teeth	90 x 24 mm
EPSC-898FO	TBTS-Style Fiber Optic Retractor with Suction Port	with Teeth	90 x 30 mm
EPSC-899FO	TBTS-Style Fiber Optic Retractor with Suction Port	with Teeth	150 x 30 mm
EPSC-900FO	TBTS-Style Fiber Optic Retractor with Suction Port	with Teeth	190 x 30 mm
EPSC-901FO	TBTS-Style Fiber Optic Retractor with Suction Port	without Teeth	90 x 24 mm
EPSC-902FO	TBTS-Style Fiber Optic Retractor with Suction Port	without Teeth	90 x 30 mm



EPSC-897FO

EPSC-898FO



EPSC-899FO



EPSC-900FO



EPSC-901FO



EPSC-902FO

REF#	Description	Type	Blade (L x W)
EPSC-903FO	TBTS-Style Fiber Optic Retractor with Suction Port	without Teeth	150 x 30 mm
EPSC-904FO	TBTS-Style Fiber Optic Retractor with Suction Port	without Teeth	190 x 30 mm
EPSC-905	TBTS-Style Endoplastic Retractor with Suction Port	-	190 mm



EPSC-903FO



EPSC-904FO



EPSC-905

Adapters

REF#	Description
EPSC-2156	Fiber Optic Retractor Adapter For Richard Wolf
EPSC-2157	Fiber Optic Retractor Adapter For Storz/Olympus



EPSC-2156



EPSC-2157

Fiber Optic Retractors

All retractors are available with standard fittings including Storz, Olympus, Wolf and ACMI.

REF#	Description	Handle Length	Blade Width
EPSC-884FO	Biggs Face Lift Retractor	9" (22.9 cm)	5.5 cm
EPSC-529FO	Biggs Mammoplasty Retractor, Standard	8" (20.3 cm)	5 cm
EPSC-530FO	Biggs Mammoplasty Retractor, Narrow	8" (20.3 cm)	3 cm
EPSC-895FO	Ferreira Breast Augmentation Retractor	5-1/8" (13 cm)	1" (25 mm) x 6-3/4" (171 mm)
EPSC-890FO	Ferreira Face Lift Retractor	4-1/4" (10.8 cm)	7/8" (22 mm) x 4-1/4" (108 mm)



EPSC-884FO



EPSC-529FO



EPSC-530FO



EPSC-895FO



EPSC-890FO

REF#	Description	Handle Length	Blade Width
EPSC-5551FO	Aufricht Retractor	8" (20.3 cm)	7 mm
EPSC-490FO	Freeman Flap Retractor	8" (20.3 cm)	1/2" (13 mm)
EPSC-491FO	Freeman Flap Retractor	8" (20.3 cm)	1" (25 mm)
EPSC-4570FO	Deaver Retractor	8" (20.3 cm)	5/8" (16 mm)
EPSC-4571FO	Deaver Retractor	8" (20.3 cm)	1" (25 mm)
EPSC-9057FO	Padgett-Deaver Retractor	12" (30.5 cm)	1" (25 mm)
EPSC-4270FO	Killian Speculum	5-1/2" (14 cm)	2" (51 mm)



EPSC-5551FO



EPSC-490FO
EPSC-491FO



EPSC-4570FO
EPSC-4571FO



EPSC-9057FO

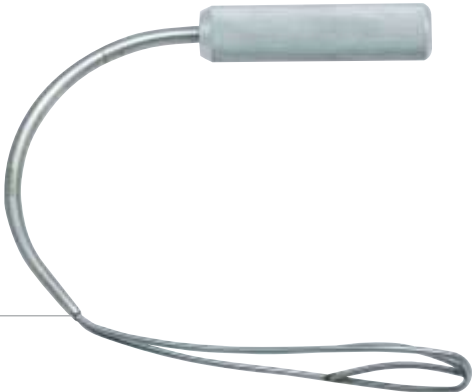


EPSC-4270FO

Retractors

Biggs Mammoplasty Retractor

- EPSC-57001** standard blade, 50 mm
- EPSC-57011** standard blade with fiber-optics, 50 mm
- EPSC-57021** standard blade with fiber-optics and suction tube, 50 mm
- EPSC-57002** narrow blade, 31 mm
- EPSC-57012** narrow blade with fiber-optics, 31 mm
- EPSC-57022** narrow blade with fiber-optics and suction tube, 31 mm



Converse

- EPSC-54105** 11.0 cm, nasal retractor, 11x44 mm blade
- EPSC-54125** 11.0 cm, nasal retractor, 11x44 mm blade, with fiber optics



Aufricht

- EPSC-55116** 16.0 cm, nasal retractor, 45 mm blade
- EPSC-55126** 16.0 cm, nasal retractor, 45 mm blade, with fiber optics



Hajek's

- EPSC-90301** 18.0 cm, cheek retractor



Cronin

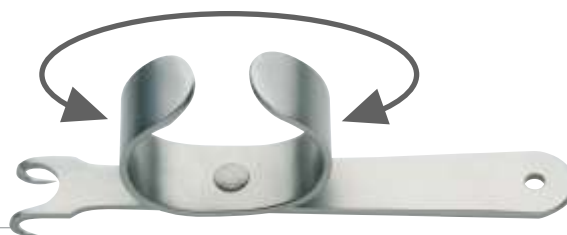
- EPSC-90416** 16.5 cm, cheek retractor



- EPSC-65010** **Weitlaner**
11.5 cm, retractor,
2x3 sharp prongs
- EPSC-67014**
14.0 cm, retractor,
3x4 sharp prongs



- EPSC-55508** **Swivel double hook**
8.0 cm, sharp, 10 mm



- EPSC-54516** **Sheen**
16.0 cm, nasal retractor



- EPSC-54615** **Sheen**
15.0 cm, retractor



- EPSC-57215** **Cronin**
15.5 cm, lip and nostril retractor



- EPSC-55920** **Cottle**
20.0 cm, retractor
with knife guard



- EPSC-56810** **Caroline**
11.0 cm, finger retractor

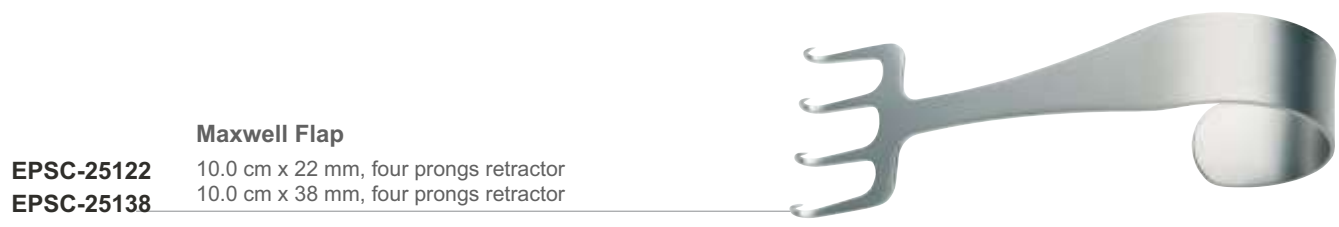


Retractors





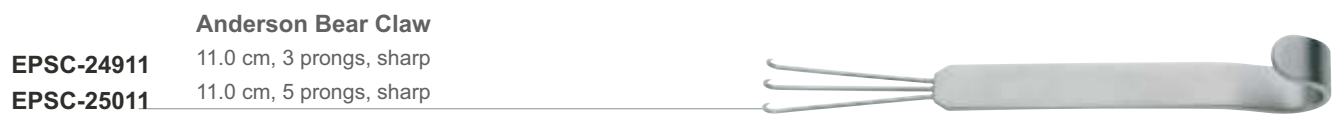
U.S. Army
21.0 cm, retractor,
double ended, pair
EPSC-13121



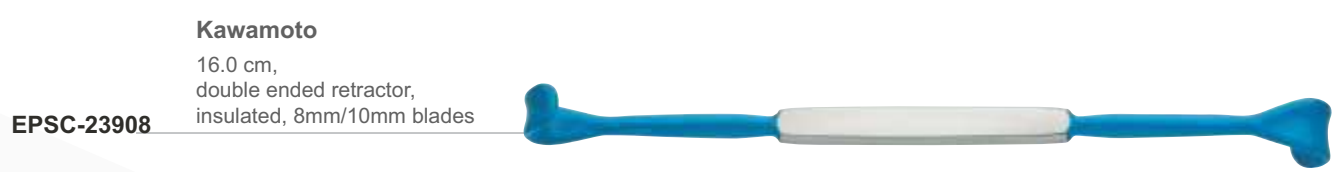
Maxwell Flap
10.0 cm x 22 mm, four prongs retractor
10.0 cm x 38 mm, four prongs retractor
EPSC-25122
EPSC-25138



Freeman Rake
18.0 cm x 22 mm,
four prongs retractor
18.0 cm x 38 mm,
four prongs retractor
EPSC-25222
EPSC-25238



Anderson Bear Claw
11.0 cm, 3 prongs, sharp
11.0 cm, 5 prongs, sharp
EPSC-24911
EPSC-25011



Kawamoto
16.0 cm,
double ended retractor,
insulated, 8mm/10mm blades
EPSC-23908



Kawamoto
16.0 cm,
double ended retractor,
insulated, 14mm/16mm blades
EPSC-23914

Retractors

Freeman
EPSC-56502 10.0 cm, double skin hook, sharp



Yancoskie lift retractor
EPSC-25615 15.0 cm, 6 prongs



Lift retractor
EPSC-25318 18.0 cm, 7 prongs



Spatula, semi-malleable
EPSC-17731 31.5 cm, 2.5x15.5 cm blade



EPSC-25438 **Gorney Rake**
7.5 cm, retractor with spring, 38mm wide



EPSC-37613 **Rollet**
13.0 cm, retractor, delicate,
4 sharp prongs



EPSC-26513 **Miller Rake**
13.5 cm, tissue retractor, delicate,
9 sharp prongs



EPSC-24214 **Ragnell**
15.0 cm, double ended retractor,
delicate



EPSC-24314 **Ragnell-Davis**
14.5 cm,
double ended retractor



EPSC-24316 **Kasden**
16.5 cm,
double ended retractor



EPSC-16017 **Senn**
17.0 cm,
double ended retractor, sharp

EPSC-16117 **Senn**
17.0 cm,
double ended retractor,
blunt



Retractors

Wise

16.5 cm, orbit retractor,
double ended

EPSC-58716

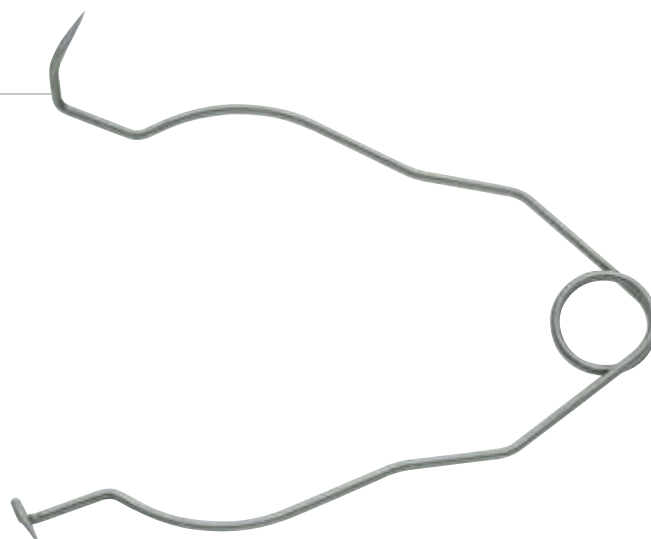


Farr Spring Retractor

14.0 cm x 2.0 cm
14.0 cm x 3.0 cm

EPSC-80120

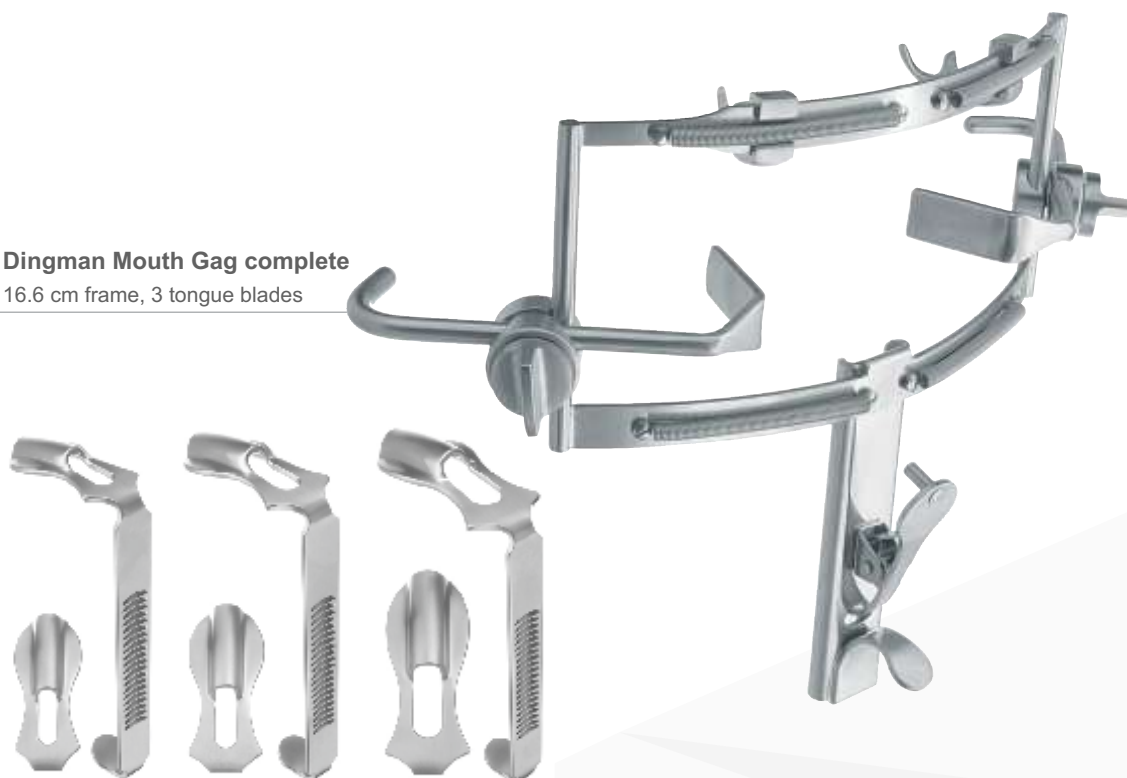
EPSC-80121



Dingman Mouth Gag complete

16.6 cm frame, 3 tongue blades

EPSC-32400





Lead Hand

EPSC-45001
EPSC-45002

adult size
child size

Breast Retractors

EPSC-30133	33.0 cm, angled	
EPSC-30142	42.0 cm, angled	
EPSC-30233	33.0 cm, angled, malleable	
EPSC-30242	42.0 cm, angled, malleable	
EPSC-30333	33.0 cm, angled, insulated	
EPSC-30342	42.0 cm, angled, insulated	
EPSC-31133	33.0 cm, spatulated	
EPSC-31142	42.0 cm, spatulated	
EPSC-31233	33.0 cm, spatulated, malleable	
EPSC-31242	42.0 cm, spatulated, malleable	
EPSC-31333	33.0 cm, spatulated, insulated	
EPSC-31342	42.0 cm, spatulated, insulated	
EPSC-31432	32.0 cm, oval spatulated blade	



EPSC-21961 Hockey Stick Breast Dissector, 12-1/4" (31.1 cm) working shaft length, 18-1/8" (46.0 cm) total assembled length, 1-1/8" (28 mm) tip width, lightweight detachable resin handle



EPSC-21960 V-Shaped Breast Dissector, 12-1/2" (31.8 cm) working shaft length, 18-1/8" (46.0 cm) total assembled length, 1/2" (13 mm) tip width, lightweight detachable resin handle



EPSC-21964 Bullet and Round Tip Breast Dissector, 12-1/4" (31.1 cm) working shaft length w/o tip, 20" (50.8 cm) total assembled length, includes 4 interchangeable tips and one lightweight detachable resin handle

EPSC-21965 Breast Dissector Replacement Bullet Tip, Large, 17.2 mm wide x 34.2 mm long, for PM-21964 Breast Dissector

EPSC-21966 Breast Dissector Replacement Bullet Tip, Small, 13.9 mm wide x 33.0 mm long, for PM-21964 Breast Dissector

EPSC-21967 Breast Dissector Replacement Round Tip, Large, 17.2 mm wide x 29.7 mm long, for PM-21964 Breast Dissector

EPSC-21968 Breast Dissector Replacement Round Tip, Small, 13.9 mm wide x 30.7 mm long, for PM-21964 Breast Dissector



EPSC-21962 Trocar Breast Tube, 14" (35.6 cm) overall length, Large, 17.3 mm ID, 19.0 mm OD



EPSC-21963 Trocar Breast Tube, 13-1/2" (34.3 cm) overall length, Small, 14.0 mm ID, 16.0 mm OD



EPSC-21969 Replacement Resin Handle for Transumbilical Breast Augmentation Dissectors (PM-21960, PM-21961 and PM-21964)

Shaper

EPSC-32001 **Scalp Dissector**
24.0 cm, slightly curved, 12.5 mm wide
EPSC-32011 24.0 cm, slightly curved, 12.5 mm wide,
with Ergo Handle



EPSC-32002 **Scalp Dissector**
24.0 cm, half curved, with angled tip,
12.5 mm wide
EPSC-32012 24.0 cm, half curved, with angled tip,
12.5 mm wide, with Ergo Handle



EPSC-32003 **Dissector**
24.0 cm, half curved, 7.0 mm wide
EPSC-32013 24.0 cm, half curved, 7.0 mm wide,
with Ergo Handle



EPSC-32004 **Transoraler Dissector**
23.5 cm, curved, 7.0 mm wide
EPSC-32014 23.5 cm, curved, 7.0 mm wide,
with Ergo Handle



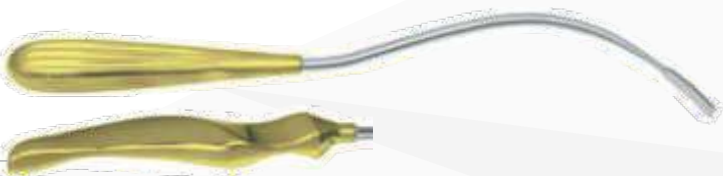
EPSC-32005 **Dissector**
24.0 cm, straight, 7.0 mm wide
EPSC-32015 24.0 cm, straight, 7.0 mm wide,
with Ergo Handle



EPSC-32006 **Flap Dissector**
24.0 cm, curved, 6.5 mm wide
EPSC-32016 24.0 cm, curved, 6.5 mm wide,
with Ergo Handle



EPSC-32007 **Frontoglobellar Dissector**
26.5 cm, S-shaped
EPSC-32017 26.5 cm, S-shaped,
with Ergo Handle



Midface Fascia Dissector
EPSC-32008 24.0 cm, S-shaped

EPSC-32018 24.0 cm, S-shaped,
with Ergo Handle



Flap Dissector
EPSC-32009 22.5 cm, straight, 10 mm wide

EPSC-32019 22.5 cm, straight, 10 mm wide,
with Ergo Handle



Periosteal Dissector
EPSC-32101 24.0 cm, S-shaped, 9 mm wide

EPSC-32111 24.0 cm, S-shaped, 9 mm wide,
with Ergo Handle



Nerve Dissector
EPSC-32102 24.0 cm, slightly curved

EPSC-32112 24.0 cm, slightly curved,
with Ergo Handle



Orbital Rim Dissector
EPSC-32103 24.0 cm, half curved

EPSC-32113 24.0 cm, half curved,
with Ergo Handle



Temporal Dissector
EPSC-32104 23.5 cm, straight

EPSC-32114 23.5 cm, straight,
with Ergo Handle



Periosteal Dissector
EPSC-32105 25.0 cm, curved

EPSC-32115 25.0 cm, curved,
with Ergo Handle



Shaper

Nerve Hook
EPSC-33001 24.0 cm, curved right
EPSC-33002 24.0 cm, curved left



Nerve Hook
EPSC-33123 23.5 cm, slightly malleable,
with graduation



Nerve Protector
EPSC-33501 17.0 cm, curved right
EPSC-33502 17.0 cm, curved left



Suction Elevator
EPSC-34001 slightly curved, round edge



Scalpel Handle
EPSC-35023 23.0 cm,
for small blades, downwards angled



Anderson-Neivert

EPSC-46907 20.0 cm, straight
EPSC-46917 20.0 cm, right
EPSC-46927 20.0 cm, left



Gunter

EPSC-46307 21.5 cm, straight
EPSC-46317 21.5 cm, right
EPSC-46327 21.5 cm, left



Silver

rhinoplastic chisel

EPSC-47301 18.0 cm, straight
EPSC-47302 18.0 cm, right
EPSC-47303 18.0 cm, left



Ristow

EPSC-47701 20.5 cm, right
EPSC-47702 20.5 cm, left



Rees

handle aluminium anodized

EPSC-44802 20.5 cm, 2 mm
EPSC-44803 20.5 cm, 3 mm



Sheen angled, Radix Chisel

EPSC-44710 18.0 cm, 10 mm, 10° angle
EPSC-44720 18.0 cm, 10 mm, 20° angle



Freer Chisel

EPSC-45004 16.5 cm, 4 mm, straight



Osteotomes

Parkes

EPSC-47518

16.0 cm, straight



Cinelli

EPSC-47210

18.5 cm, 10 mm

EPSC-47212

18.5 cm, 12 mm

EPSC-47214

18.5 cm, 14 mm

EPSC-47216

18.5 cm, 16 mm



Rubin Type

EPSC-46810

17.0 cm, 10 mm

EPSC-46814

17.0 cm, 14 mm

EPSC-46816

17.0 cm, 16 mm



Parkes Gouge

EPSC-47918

18.0 cm, 6.5 mm



Sheehan

EPSC-46702

16.0 cm, 2 mm

EPSC-46703

16.0 cm, 3 mm

EPSC-46704

16.0 cm, 4 mm

EPSC-46705

16.0 cm, 5 mm

EPSC-46706

16.0 cm, 6 mm

EPSC-46709

16.0 cm, 9 mm

EPSC-46710

16.0 cm, 10 mm



Converse

EPSC-47102

18.0 cm, 2 mm

EPSC-47103

18.0 cm, 3 mm

EPSC-47104

18.0 cm, 4 mm

EPSC-47105

18.0 cm, 5 mm

EPSC-47106

18.0 cm, 6 mm

EPSC-47107

18.0 cm, 7 mm

EPSC-47108

18.0 cm, 8 mm

EPSC-47109

18.0 cm, 9 mm

EPSC-47110

18.0 cm, 10 mm

EPSC-47111

18.0 cm, 11 mm

EPSC-47112

18.0 cm, 12 mm

EPSC-47115

18.0 cm, 15 mm



EPSC-69632
EPSC-69702

Mead
17.0 cm, 320 g
pair of interchangeable faces



EPSC-69114

Nylon
18.5 cm, head Nylon / Nylon



EPSC-69214

Nylon
18.5 cm, head Nylon / Stainless



EPSC-68625

Gerzog
18.0 cm, 250 g = 8 oz



Morselizers

EPSC-25318 **Gunter**
18.0 cm, serrated, TC



EPSC-25520 **Gorney**
18.5 cm, straight



EPSC-53800 **Cottle**
cartilage-crusher, including forceps for removal



Joseph Saw

- H146-53219 19.0 cm, left bayonet
- H146-53419 19.0 cm, right bayonet



Curettes

Converse double ended curette

- EPSC-76321 21.0 cm, 7.0 x 10.0 and 6.5 x 8.5mm



Fox dermal curette

- EPSC-12803 14.0 cm, 3 mm oval
- EPSC-12804 14.0 cm, 4 mm oval
- EPSC-12805 14.0 cm, 5 mm oval



Septum Forceps

Asch straightening Forceps

- EPSC-57123 23.0 cm



Walsham straightening Forceps

- EPSC-57223 23.0 cm, straight
- EPSC-57323 23.0 cm, left
- EPSC-57523 23.0 cm, right



Nasal Speculas

Vienna

- EPSC-11201 14.0 cm, for baby
- EPSC-11202 14.0 cm, for child
- EPSC-11203 14.0 cm, for adult



Killian

- EPSC-12035 13.0 cm, 35 mm
- EPSC-12050 13.0 cm, 50 mm
- EPSC-12075 13.0 cm, 75 mm
- EPSC-12090 13.0 cm, 90 mm



Cottle

- EPSC-12435 14.0 cm, 35 mm
- EPSC-12450 14.0 cm, 50 mm
- EPSC-12475 14.0 cm, 75 mm
- EPSC-12490 14.0 cm, 90 mm



Rowe's
21.0 cm,
Zygomatic bone elevator

EPSC-81921



McCulloch
24.0 cm, double ended blunt
elevator, 4.2 mm

EPSC-43124



Gorney Suction
19.0 cm, round end,
suction-elevator

EPSC-40119



Cottle Septum
23.0 cm

EPSC-42123



Joseph
16.5 cm, periosteal elevator

EPSC-42516



Cottle Skin
19.0 cm, 10 mm wide

EPSC-42519



Mitchells Trimmer
17.0 cm, knife blade and spoon
shaped elevator

EPSC-43317



Elevators

Freer
EPSC-41645 19.0 cm, tip 4.5 mm,
sharp/blunt
EPSC-41665 19.0 cm, tip 6.5 mm,
sharp/blunt



McCollough
EPSC-40418 18.5 cm



Woodson
EPSC-50318 20.0 cm



Obwegeser Periosteal
EPSC-69907 18.0 cm, 7 mm
EPSC-69911 18.0 cm, 11 mm



Boies
EPSC-57719 19.5 cm



Carlin
EPSC-56600 15.5 cm, chin implant
periosteal elevator



Clodius
EPSC-58500 orbital retractor, double ended,
13 mm / 20 mm



Frazier Skin Hook

- EPSC-21413 13.0 cm, sharp
- EPSC-21418 18.0 cm, sharp



O'Conner Iris Skin Hook

- EPSC-20913 12.5 cm, sharp



Converse Skin Hook

- EPSC-20501 19.0 cm, small
- EPSC-20503 19.0 cm, large



Joseph Skin Hook

- EPSC-21601 16.0 cm, single hook
- EPSC-21602 16.0 cm, 2 mm double hook
- EPSC-21605 16.0 cm, 5 mm double hook
- EPSC-21607 16.0 cm, 7 mm double hook
- EPSC-21610 16.0 cm, 10 mm double hook



Kleinert-Kutz Hook

- EPSC-20803 16.0 cm, 3 mm
- EPSC-20805 16.0 cm, 5 mm
- EPSC-20807 16.0 cm, 7 mm



Hooks

EPSC-55218 **Millard Thimble Hook**
18 mm wide, double hook



EPSC-55701 **Cottle Tenaculum**
15.0 cm, Fig. 1
EPSC-55702 15.0 cm, Fig. 2
EPSC-55703 15.0 cm, Fig. 3



EPSC-21201 **Guthrie Double Hook**
12.0 cm, 2.5 mm
EPSC-21202 12.0 cm, 3.0 mm



EPSC-20413 **Tyrell Skin Hook**
13.0 cm



EPSC-56018 **Gillies Skin Hook**
18.0 cm, Fig. 1
EPSC-56218 18.0 cm, Fig. 2



EPSC-56614 **Barsky Double Skin Hook**
15.0 cm, 5 mm



Thorpe Precision Caliper
12.5 cm
EPSC-31911



Castroviejo Caliper
9.0 cm
EPSC-58307



Jameson Caliper
10.0 cm
EPSC-31710



Thorpe Caliper, angled
12.0 cm
EPSC-31811



Dissectors



Grossmann
Areola Marker
4 sizes



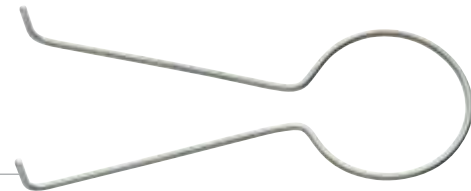
Freeman
Areola Marker

EPSC-10534 34 mm
EPSC-10536 36 mm
EPSC-10538 38 mm
EPSC-10542 42 mm
EPSC-10545 45 mm
EPSC-10550 50 mm



McKissock "keyhole"
used in conjunction
with Freeman Areola Marker

EPSC-11038 38 mm
EPSC-11042 42 mm
EPSC-11045 45 mm



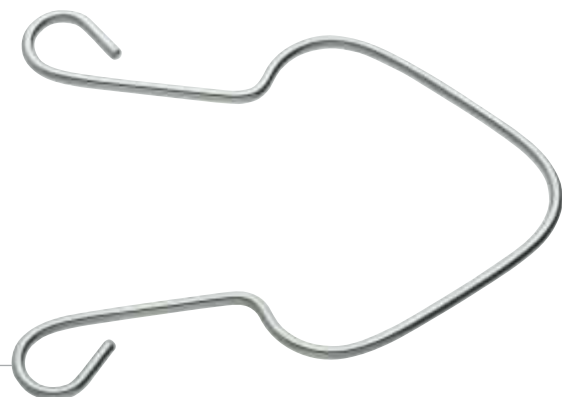
Freeman

EPSC-10738 38/42 mm diameter
EPSC-10742 42/45 mm diameter



Ackerman
Areola Marker

EPSC-11414 10.0 cm
EPSC-11416 11.5 cm



Markers

D'Assumpcao F/L
EPSC-20216 16.0 cm
EPSC-20316 16.0 cm, with ratchet



Pitanguy Flap Demarcator
EPSC-20916 16.0 cm, facial



Marten Flap
EPSC-20714 14.5 cm
EPSC-20614 14.5 cm, with ratchet



Hartmann Mosquito
EPSC-21010 10.0 cm, straight
EPSC-21110 10.0 cm, curved



Halstead Mosquito
EPSC-23012 12.5 cm, straight, 1x2 teeth
EPSC-23112 12.5 cm, curved, 1x2 teeth
EPSC-22012 12.5 cm, straight
EPSC-22112 12.5 cm, curved



Kelly
EPSC-24014 14.0 cm, straight
EPSC-24114 14.0 cm, curved



Crile
hemostatic forceps
EPSC-25014 14.0 cm, straight
EPSC-25114 14.0 cm, curved
EPSC-26316 16.0 cm, curved



Jones Towel
EPSC-10309 9.0 cm



Forceps

Rochester Pean
hemostatic forceps

- EPSC-31014 14.0 cm, straight
- EPSC-31016 16.0 cm, straight
- EPSC-31020 20.0 cm, straight
- EPSC-31116 16.0 cm, curved
- EPSC-31118 18.0 cm, curved
- EPSC-31120 20.0 cm, curved



Rochester-Ochsner
hemostatic forceps

- EPSC-32014 14.0 cm, straight, 1x2 teeth
- EPSC-32114 14.0 cm, curved, 1x2 teeth
- EPSC-32016 16.0 cm, straight, 1x2 teeth
- EPSC-32116 16.0 cm, curved, 1x2 teeth



Adson
hemostatic forceps

- EPSC-41018 18.5 cm, straight
- EPSC-41118 18.5 cm, curved



Foerster Sponge Holding

- 18.0 cm EPSC-17018
- 20.0 cm EPSC-17020
- 25.0 cm EPSC-17025



Lahey Vulsellum
EPSC-52015 15.0 cm
EPSC-52020 20.0 cm



Allis
14.0 cm, 4:5 teeth, Allis Baby EPSC-10214
15.0 cm, 4:5 teeth EPSC-11015
15.0 cm, 5:6 teeth EPSC-12015
19.0 cm, 5:6 teeth EPSC-12019

Backhaus Towel
EPSC-11109 9.0 cm
EPSC-11111 11.0 cm
EPSC-11113 13.0 cm
EPSC-11115 15.0 cm



Lorna Towel
11.0 cm EPSC-12111
13.0 cm EPSC-12113

Knives

Ballenger Swivel

- EPSC-39003 20.0 cm, straight, 3 mm blade
- EPSC-39004 20.0 cm, straight, 4 mm blade
- EPSC-39005 20.0 cm, straight, 5 mm blade
- EPSC-39203 20.0 cm, bayonet, 3 mm blade
- EPSC-39204 20.0 cm, bayonet, 4 mm blade
- EPSC-39205 20.0 cm, bayonet, 5 mm blade



Freer Mucosa Knife

- EPSC-37415 15.0 cm, "D" pattern



Silver Dermatome

- EPSC-48219 19.0 cm



Watson Dermatome

- EPSC-48230 30.0 cm, complete
- EPSC-48401 spare blade (1pc.)



Schink

- EPSC-55521 31.0 cm / 12 1/4"



Foerster

- EPSC-14027 27.0 cm, capsulotomy knife



02-192
STANDARD
No. 3
Solid



02-193
No. 3
Solid



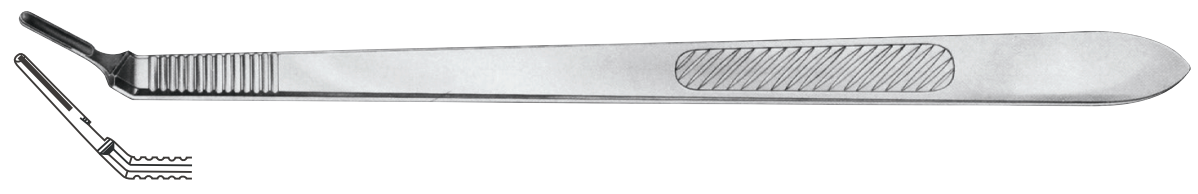
02-194
No. 3
Solid



02-195
No. 3 L
Straight
Solid



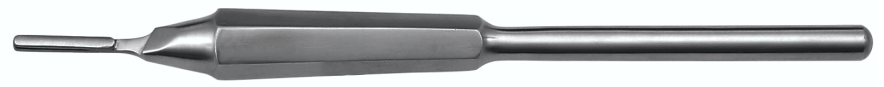
02-196
No. 3 L
Angled
Solid



02-197
No. 7
Solid



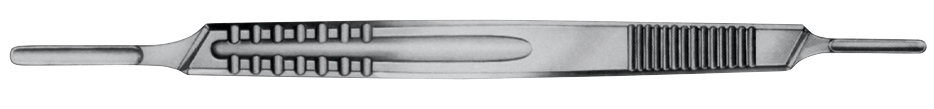
02-199
Hollow-Round



02-185
STANDARD
No. 4
Solid



02-186
Double Handel
No. 4 + No. 3
Solid



02-187
No. 4 L
Straight
Solid



02-188
No. 4 L
Solid Angled



Rongeurs

Lempert
EPSC-15016 16.0 cm, straight
EPSC-15116 16.0 cm, curved



Beyer
EPSC-20118 18.0 cm, curved



Jansen Middleton
nasal cutting forceps
19.5 cm

EPSC-32519



Takahashi Cutting Forceps
11.5 cm, working length, 2.5x8 mm bite

EPSC-21002



Kleinert-Kutz Forceps
14.0 cm, straight
14.0 cm, curved

EPSC-28314
EPSC-28414



Miscellaneous

Ruler

graduated in mm and inches

- EPSC-34010 10.0 cm
- EPSC-34020 20.0 cm
- EPSC-34030 30.0 cm
- EPSC-34050 50.0 cm



Barron Suction Tubes

- EPSC-10103 13.0 cm, 3 french
- EPSC-10105 13.0 cm, 5 french
- EPSC-10107 13.0 cm, 7 french



Yankauer Aspiration Tube

27.0 cm, complete with suction tip and connector

EPSC-15027



Universal Flat Nose Pliers

20.0 cm

EPSC-53820



Wire Seizing Forceps

- EPSC-53202 18.0 cm, 4 mm
- EPSC-53203 18.0 cm, 6 mm



EPSC-56814 Needle Nose Pliers
14.0 cm, cross-serrated



EPSC-53803 General Purpose Pliers
18.0 cm



EPSC-54717 Wire/Pin Cutter
18.0 cm, 1.7 wire, TC
EPSC-54522 22.0 cm, 2.5 wire, TC



EPSC-54618 Wire/Pin Cutter
18.0 cm, TC



Iconoclats

Iconoclats are used in breast augmentation, reduction and lift procedures to facilitate blunt dissection. The iconoclast utilizes the gripping strength of the clinician's hand rather than the spreading strength to help minimize hand fatigue during a procedure.

REF#	Description	Length	Blade
EPSC-638	Iconoclast, Large	11-1/2" (29.2 cm)	5-3/4" (14.6 cm)
EPSC-639	Iconoclast, Small	8-3/4" (22.2 cm)	3-1/4" (8.3 cm)



EPSC-638



EPSC-639

Lipo Hand piece
with lever mechanism,
quick lock mechanism

EPSC-40010



Lipo Hand piece
with thumb control,
quick lock mechanism

EPSC-40020



Lipo Hand piece
with thumb control,
luer lock

EPSC-40030



Triport

working length Ø

EPSC-46320	200 mm	3 mm
EPSC-46325	250 mm	3 mm
EPSC-46420	200 mm	4 mm
EPSC-46425	250 mm	4 mm
EPSC-46430	300 mm	4 mm
EPSC-46525	250 mm	5 mm
EPSC-46530	300 mm	5 mm



Mercedes

working length Ø

EPSC-47320	200 mm	3 mm
EPSC-47325	250 mm	3 mm
EPSC-47420	200 mm	4 mm
EPSC-47425	250 mm	4 mm
EPSC-47430	300 mm	4 mm
EPSC-47525	250 mm	5 mm
EPSC-47530	300 mm	5 mm



Spirale

working length Ø

EPSC-48320	200 mm	3 mm
EPSC-48325	250 mm	3 mm
EPSC-48420	200 mm	4 mm
EPSC-48425	250 mm	4 mm
EPSC-48430	300 mm	4 mm
EPSC-48525	250 mm	5 mm
EPSC-48530	300 mm	5 mm



Cannulas / Lipo Suction

Cobra		
	working length	Ø
EPSC-43315	150 mm	3 mm
EPSC-43320	200 mm	3 mm
EPSC-43325	250 mm	3 mm
EPSC-43420	200 mm	4 mm
EPSC-43425	250 mm	4 mm
EPSC-43430	300 mm	4 mm
EPSC-43525	250 mm	5 mm
EPSC-43530	300 mm	5 mm



Spirale		
	working length	Ø
EPSC-44315	150 mm	3 mm
EPSC-44320	200 mm	3 mm
EPSC-44325	250 mm	3 mm
EPSC-44420	200 mm	4 mm
EPSC-44425	250 mm	4 mm
EPSC-44430	300 mm	4 mm
EPSC-44525	250 mm	5 mm
EPSC-44530	300 mm	5 mm



Shark		
	working length	Ø
EPSC-45315	150 mm	3 mm
EPSC-45320	200 mm	3 mm
EPSC-45325	250 mm	3 mm
EPSC-45420	200 mm	4 mm
EPSC-45425	250 mm	4 mm
EPSC-45430	300 mm	4 mm
EPSC-45525	250 mm	5 mm
EPSC-45530	300 mm	5 mm



Triport		
	working length	Ø
EPSC-41315	150 mm	3 mm
EPSC-41320	200 mm	3 mm
EPSC-41325	250 mm	3 mm
EPSC-41330	300 mm	3 mm
EPSC-41420	200 mm	4 mm
EPSC-41425	250 mm	4 mm
EPSC-41430	300 mm	4 mm
EPSC-41525	250 mm	5 mm
EPSC-41530	300 mm	5 mm



Monoport		
	working length	Ø
EPSC-42315	150 mm	3 mm
EPSC-42320	200 mm	3 mm
EPSC-42325	250 mm	3 mm
EPSC-42330	300 mm	3 mm
EPSC-42420	200 mm	4 mm
EPSC-42425	250 mm	4 mm
EPSC-42430	300 mm	4 mm
EPSC-42525	250 mm	5 mm
EPSC-42530	300 mm	5 mm

